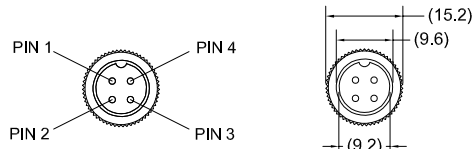


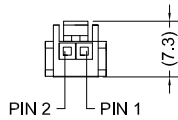
**VIEW A**



**4 PIN FEMALE MATING FACE**

PIN #	WIRE COLOUR	DESCRIPTION
1	N/A	N/C
2	SHIELD	GND
3	N/A	N/C
4	WHITE	VIDEO

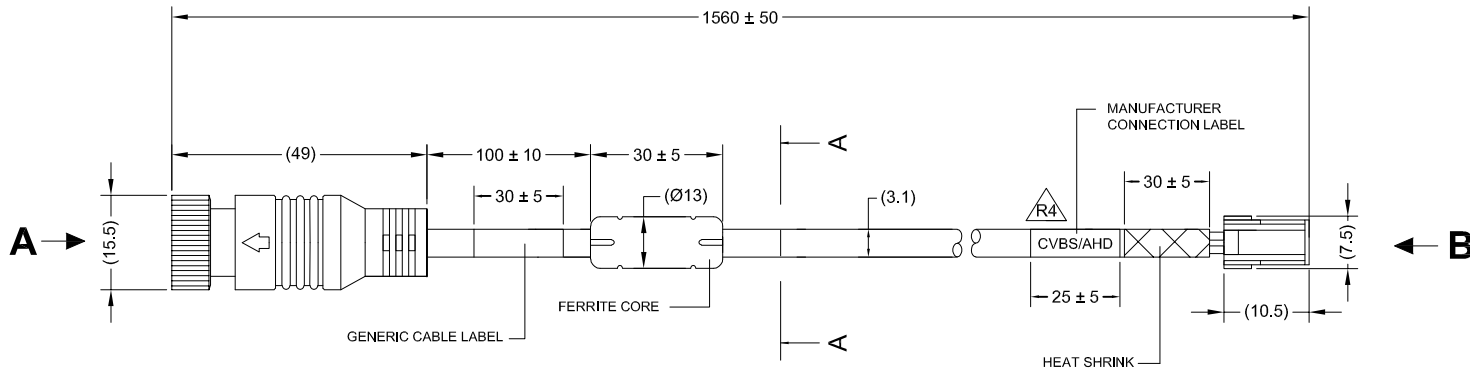
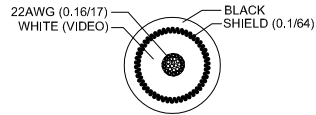
**VIEW B**



**2 PIN FEMALE MATING FACE**

PIN #	WIRE COLOUR	DESCRIPTION
1	SHIELD	GND
2	WHITE	VIDEO

**SECTION A-A**



Revision Notes				
R1 - MODEL NUMBER CHANGE FROM BN360-VBV0015 TO BN360-VBV-L4015				
APA: YJ LEE 30/10/14	Drawn: P.MISSEN	Checked: R.BATES	Approved: B.CHILDS	Date: 30/10/14
R2 - DIMENSIONS CORRECTED FROM 14.0 TO 14.9, FROM 12.0 TO 12.5, FROM 13.0 TO 13.0, 15.0 TO 15.0 FERRITE CORE DIMENSIONS ADDED 31 ± 5 GENERIC CABLE LABEL, 25 ± 5 CVBS LABEL, 19 ± 5 HEATSHRINK LENGTH CR-AA23				
APA: Y.J.LEE	Drawn: W.BEAZLEY	Checked: B.CHILDS	Approved: D.WALLIN	Date: 16/03/2016
R3 - GIFTBOX LABEL DETAILS ADDED TO NOTES.				
APA: Y.J.LEE	Drawn: R.BATES	Checked: D.RICHARDSON	Approved: D.WALLIN	Date: 25/07/16
R4 - LABEL DESCRIPTION CHANGED FROM "CVBS" TO "CVBS/AHD" AS PER CR-A687.				
APA: S.KANG	Drawn: J.STEWART	Checked: W.SINDEN	Approved: B.CHILDS	Date: 13/06/2019

**NOTES**

- FOR GENERIC CABLE LABEL REFER TO LATEST REVISION OF DRAWING BE-002644-XX-13.
- INTERNAL CABLE SHOULD BE ONE CONTINUOUS LENGTH BETWEEN CONNECTORS.
- CABLE PROVIDED IN A SUITABLE ADEQUATELY SIZED BAG.
- CABLE LABEL IS FREE TO MOVE ALONG CABLE.
- SHIELD TO BE COVERED WITH BLACK HEATSHRINK.
- FERRITE SPECIFICATION: F2 RH 10X20X5, 50Ω @ 25MHz, 120Ω @ 100MHz.
- WHEN SUPPLIED AS A SPARE PART FOR GIFTBOX LABEL REFER TO LATEST REVISION OF DRAWING BE-002640-XX-13.

**PROPRIETARY NOTICE**

THIS DESIGN AND TECHNICAL INFORMATION APPEARING ON THIS DRAWING IS THE PROPERTY OF BRIGADE ELECTRONICS, AND IS DISCLOSED IN CONFIDENCE. IT IS NOT TO BE COPIED, REPRODUCED, REVEALED TO OR EXPROPRIATED BY OTHERS, EITHER IN WHOLE OR IN PART WITHOUT THE EXPRESS WRITTEN CONSENT OF BRIGADE ELECTRONICS.

**BRIGADE**  
www.brigade-electronics.com

Assembly Pt Approval YJ LEE 21/10/14	Approved by B.CHILDS	Checked by R.BATES	Drawn by P.MISSEN
Angle of Projection 	Units mm	Scale N/A	Released 23/10/14
	Status RELEASED	BN360-VBV-L4015	
	Part No 4698	BE-002976-04-14	